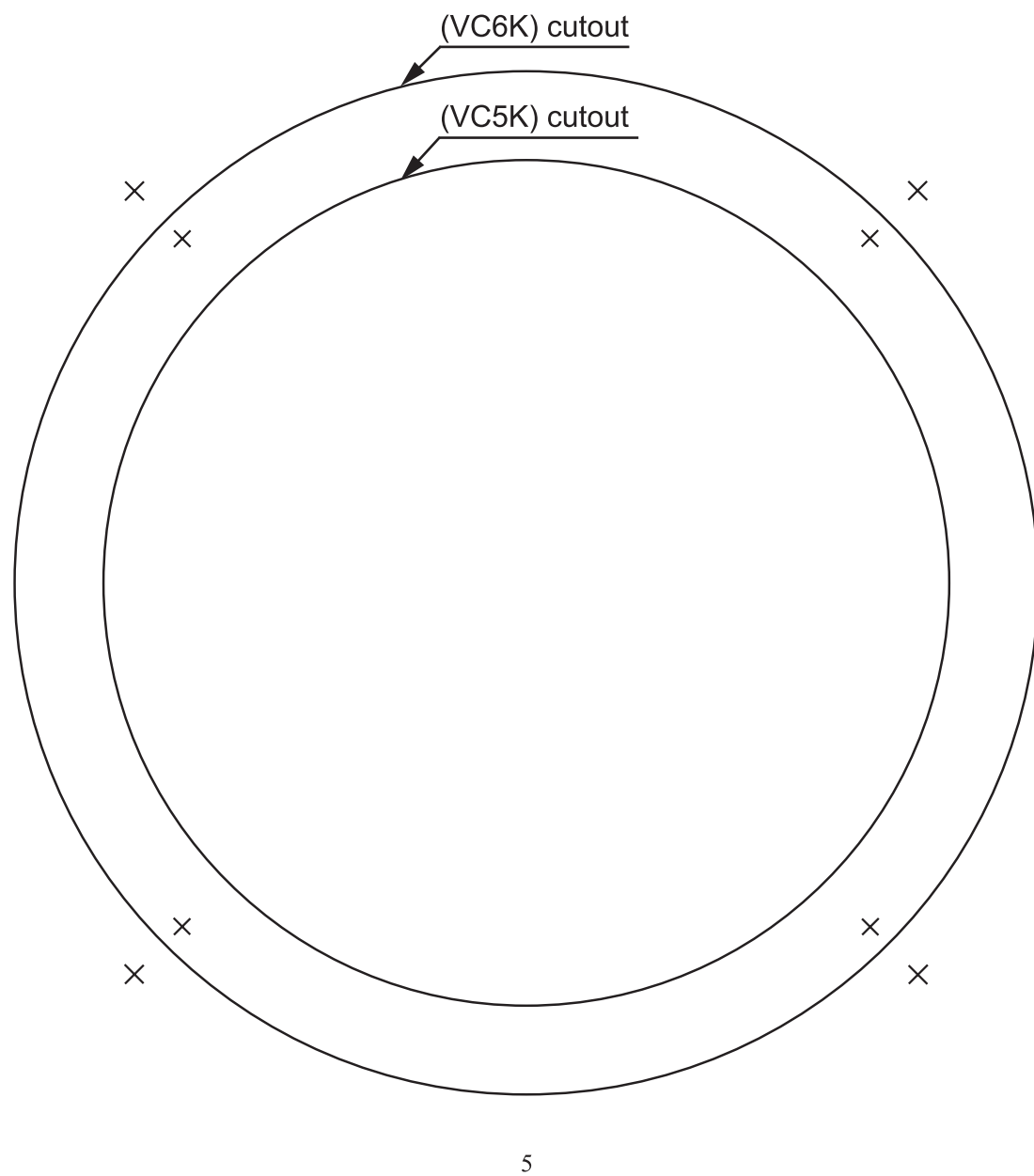


TEMPLATE (VC5K/VC6K)



INTRODUCTON

CONGRATULATIONS!
YOU HAVE PURCHASED ONE OF THE FINEST CAR AUDIO PRODUCTS AVAILABLE TODAY.
Lanzar VECTOR-SERIES SPEAKER IS A STATE OF THE ART PRODUCT CAREFULLY
DESIGNED & MANUFACTURED FOR VEHICLE USE AND HAS BEEN THOROUGHLY TESTED
TO ENSURE CONSISTENT AND RELIABLE PERFORMANCE.

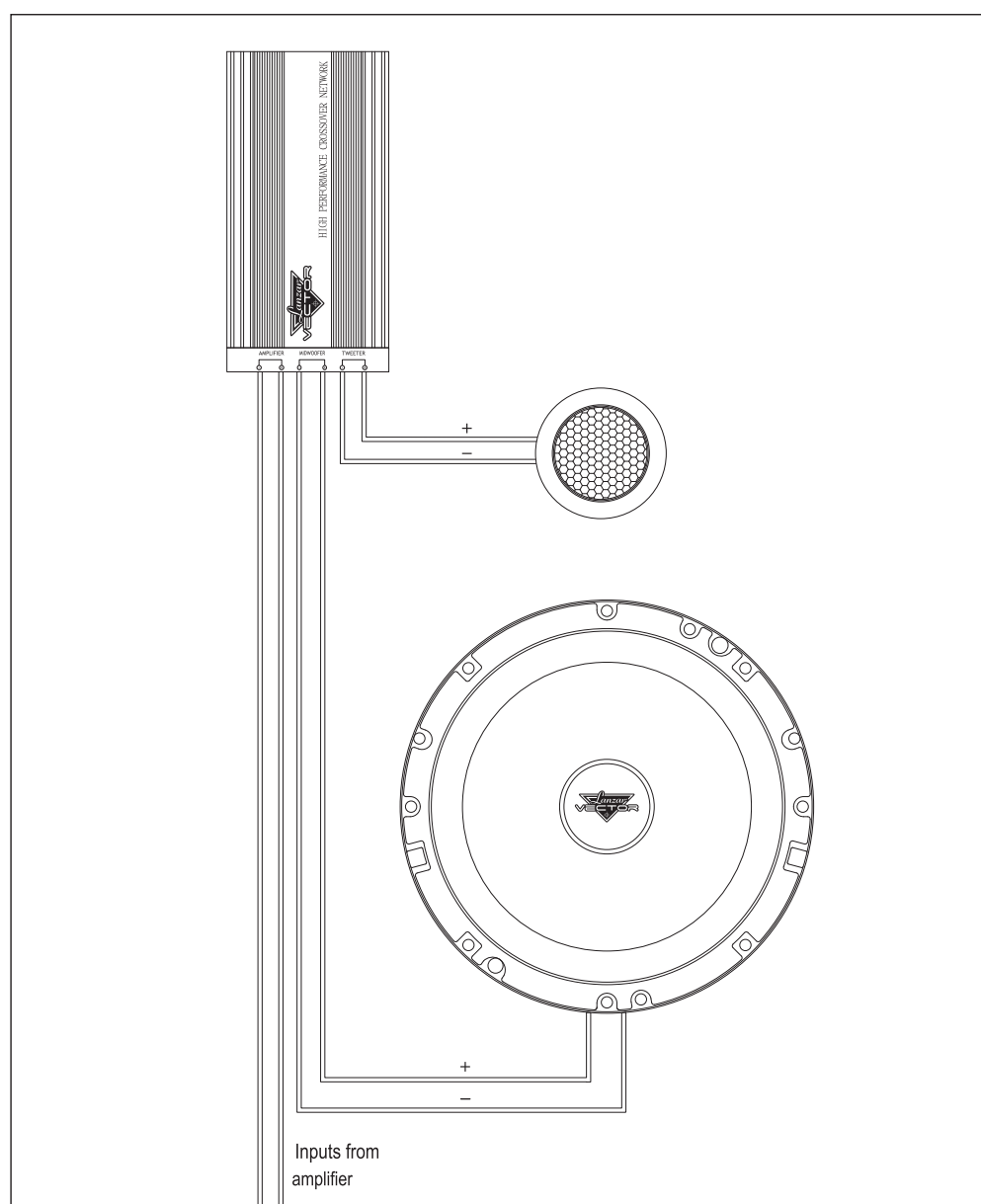
**VC5K
VC6K**



INSTALLATION MANUAL

www.lanzar.com

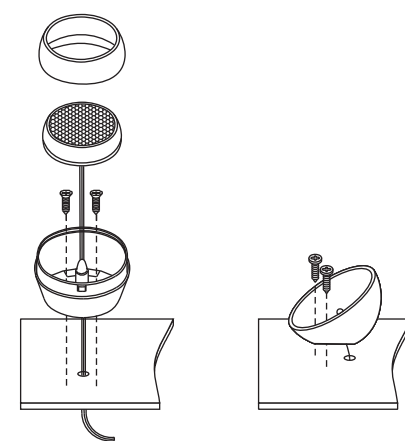
CROSSOVER INSTRUCTION



4

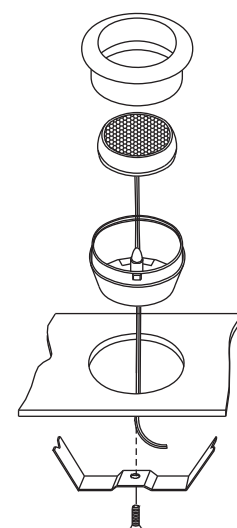
INSTALLATION OF TWEETER

Surface Mount / Angle Mount



1. Choose a proper installation point for the tweeters. Be sure that you have enough clearance for the tweeter installation screw and that no other wires will get pinched behind this location by the tweeter mounting screw.
2. Assemble the tweeters as per the drawing to the left. Place the tweeter into the bracket and rotate it clock-wise until the tweeter locks into the bracket.

Flush Mount

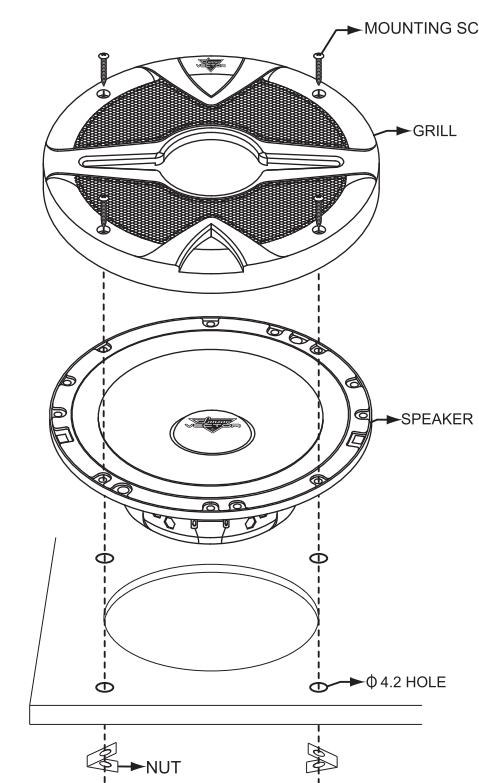


1. Choose a proper installation point for the tweeters.
2. Make a 48mm diameter hole where you want to flush mount the tweeter
3. Before cutting the hole-be sure that you have enough clearance for the tweeter housing depth.
4. Assemble the tweeters as per the drawing to the left. **BE SURE TO CONNECT THE WIRES BEFORE PLACING THE TWEETER INTO THE FLUSH MOUNTING HOLE!**

3

MOUNTING INSTRUCTIONS

MIDWOOFERS



1. Using mounting template for speaker, mark the correct mounting location by a pencil or pen.
2. Cut out the panel by this marking and drill 4 holes for the mounting bolts to pass through.
3. Connect the terminal of speaker to car audio correctly by using cord provided
Caution: Be careful not to misconnect polarity
4. Insert grill & speaker Unit in the speaker mounting hole at the rear panel and fix speaker with bolts & screws & nuts provided.

2